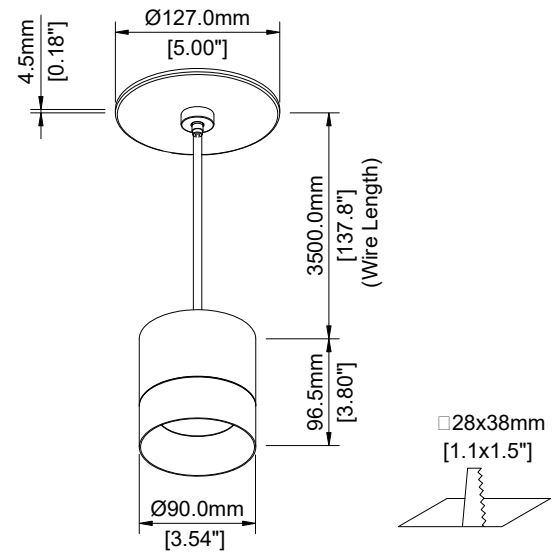


Specification sheet

REV.1

VAL 100 CP D SS 10
Pendant Cylinder, spot, length 100mm



Description

VAL100 is a MACRON solution for high-performance cylinder applications. The 100 mm version can drive up to 10 W and deliver unmatched 94 lm/W efficacy from a 3.5" (90 mm) aperture. Twist-lock installation mechanisms, best-in-class lighting quality, and sleek aesthetics and finishes are just some details that distinguishes MACRON philosophy from others. VAL family is designed to integrate and complement your architectural aspiration.

Features

LED	Lumiled Luxeon COB1205
Color temperature	2700K/ 3000K/ 3500K/ 4000K / WD(1800-3000K)
Optics	Spot 20° / Medium 25° / Wide 34° / Flood 55°
Driver	Remde class 2 driver, power factor >0.90 Output current 250mA Max Output voltage 36 vdc

Performance

Delivered output	Up to 1780 lm(90+ CRI)
Power consumption	10 W
Color rendering	90+ CRI
CBCP	Spot 3428 cd / Medium 2397 cd / Wide 1864 cd / Flood 1141 cd
Lumen maintenance	L80, B10 50,000 hrs

Ordering Code Information

PRODUCT	MODE	MOUNTING TYPE	LENGTH	COLOR TEMPERATURE	FINISH	BEAM ANGLE	COLOR RENDERING	BEZEL STYLE
VAL 100 CP	D	SS	10	27	WH	S	9	STWH
VAL 100 CP Cylinder Surface Mount	D (Direct)	Surface spot	10 (100 mm)	27 (2700K) 30 (3000K) 35 (3500K) 40 (4000K) WD(1800-3000K)	WH (White) BK (Black) BP (Brushed Pewter) BC (Brushed Copper) SN (Satin Nickel)	S (Spot / 20 deg.) M (Medium / 25 deg.) W (Wide / 34 deg.) F (Flood / 55 deg.)	9 (90 CRI+)	ST WH WHB BK BK G DA Clear Acrylic WW Wall Wash 6 6" Metal Shade

Electrical and Control

Input voltage	36 vdc
Control	Refer to driver spec

Construction

Material	Casting & Extrusion grade Aluminum Alloy
Finishes	WH / BK / BP / BC / SN
Optics	Field Interchangeable optics

Rating/ Certification/ Warranty

- Dry and damp Locations
- RoHS compliant
- 5 years/ 50,000 hrs warranty

Recommend LED Driver:

Driver No.	Input Voltage	Dimming	Note
DE-1-250-10	120V	TRIAC/ELV	
DA-1-250-10	120-277V	0-10 V	

Photometrics

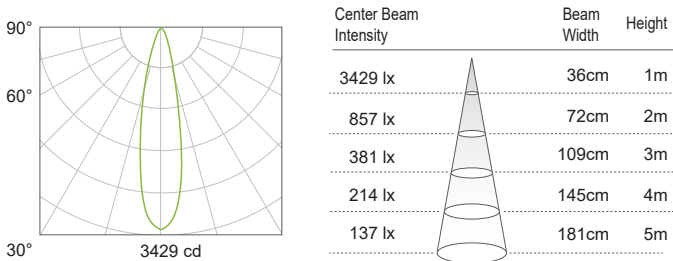
10W | 90CRI | 3000K | White body with Black trim

MULTIPLYING FACTORS: (Multiplying Factor is based on 3000K-90+CRI IES file on website)

CCT	2700K-90+	3000K-90+	3500K-90+	4000K-90+
Factors	0.96	1.0	1.04	1.08

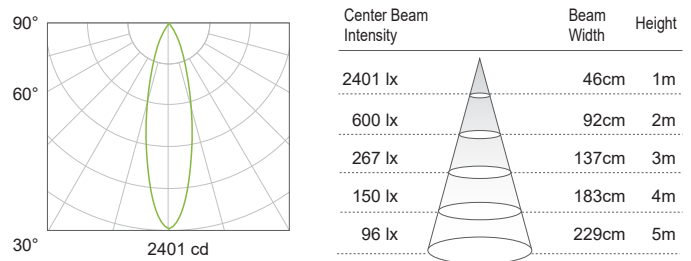
Spot 20°

Delivered Output : 821 lm | CBCP :3429 cd | Beam Angle : 20°



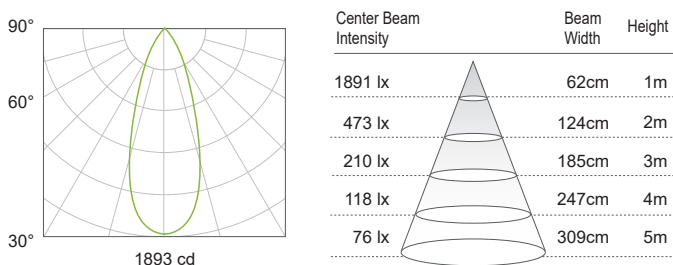
Medium 25°

Delivered Output : 800 lm | CBCP : 2398 cd | Beam Angle : 25°



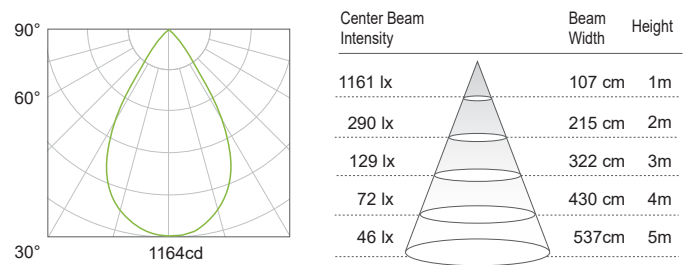
Wide 34°

Delivered Output : 827 lm | CBCP : 1865 cd | Beam Angle : 34°



Flood 55°

Delivered Output : 941 lm | CBCP : 1141 cd | Beam Angle : 55°



Optional Accessory

<p>ACC.</p> <p>CL</p> <p>CL Clear Lens</p> 	<p>ACC.</p> <p>HCL</p> <p>HCL Honey Comb Louver</p> 	<p>Canopy size</p> <p>5-2 PL</p> <p>5-2 PL 5"-2" conversion canopy kit</p>	<p>FINISH</p> <p>WH</p> <p>WH White BK Black</p> 
<p>BEZEL STYLE</p> <p>DA</p> <p>DA Clear Acrylic</p> 	<p>BEZEL STYLE</p> <p>WW</p> <p>WW Wall Wash</p> 	<p>BEZEL STYLE</p> <p>6</p> <p>6"Metal Shade</p> 	